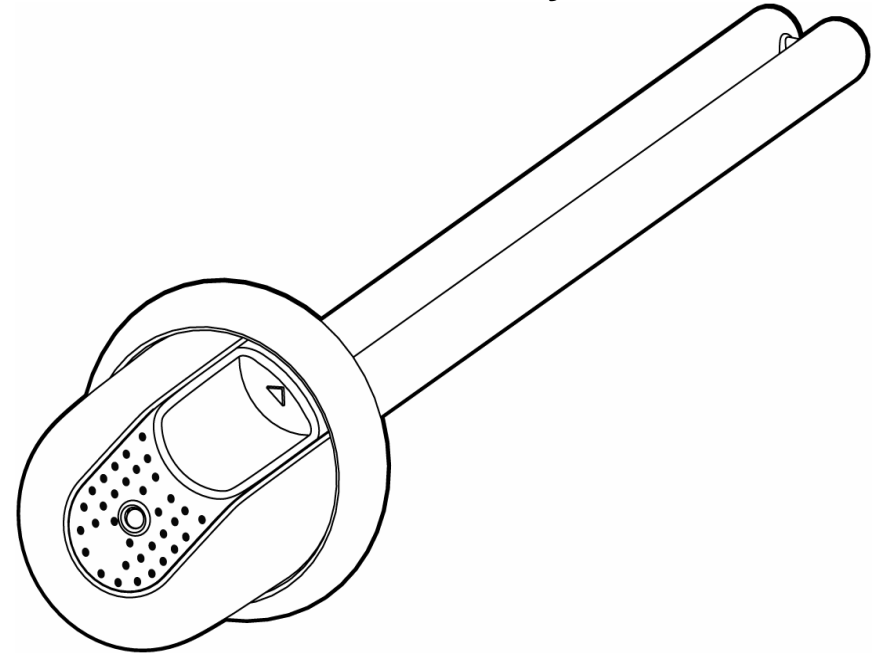


Reduce microbes. Purify your air.

ALTRU...V
REAL SCIENCE FOR HVAC MAINTENANCE

Germicidal UV System



26145 Technology Drive
Valencia, CA 91355
(877) 787-3882
(661) 257-4698 fax
www.uvdi.com

Specifications subject to change without notice.

©Altru-V and Model-36 are brands owned by UVDI.

Copyright © 2004 by UltraViolet Devices, Inc. All rights reserved

Installer/Owner's Manual – Model 36

Included inside box:

- 1 - Model-36™ UV System
- 1 – UV Lamp
- 1 – Mounting Ring
- 3 – Mounting Screws
- 1 – Mounting Template
- 1 – Installer/Owner's Manual
- 1 – HVAC Maintenance Label

Tools required for installation:

- Electric Drill
- 2 1/8" Hole cutter
- Phillips Bit
- Cleaning cloth and alcohol

**Read entire book carefully
before beginning installation
and save these instructions**

SPECIFICATIONS

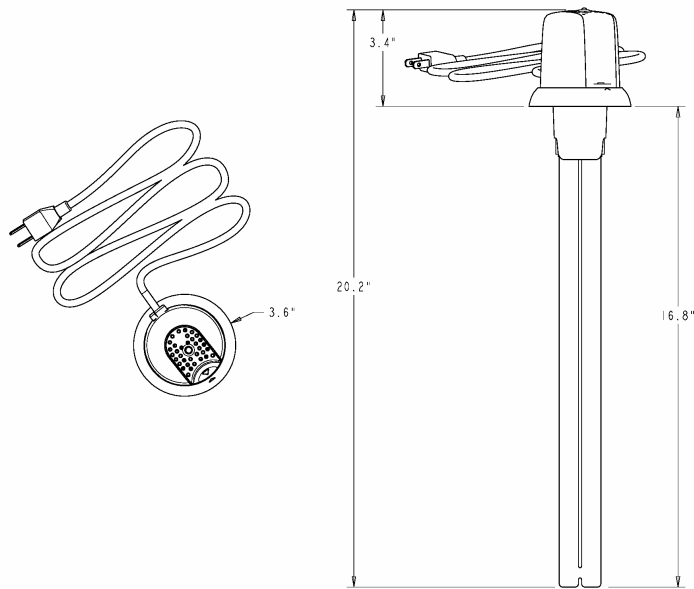


Fig. 1

Electrical:
120V/60Hz. 0.7 Amps. 36 Watts. 6-ft. power cord

Environmental:
Temperature: 40° F to 120°F (4°C to 49°C) inside duct.
Humidity: Up to 95% non-condensing.

Listings:
Underwriters Laboratories. Category Code ABQK (Accessories, Air Duct Mounted) UL Standards: UK 153, UL 1598 and UL 1995.



The health aspects associated with the use of this product and its ability to aid in disinfection of environmental air have not been investigated by UL.

Specifications subject to change without notice.

EQUIPMENT WARRANTY

UltraViolet Devices, Inc. (UVDI), warrants to original Buyer for one year from the date of original installation, or eighteen (18) months from date of shipment, whichever comes first, that its goods are free from defect in material and workmanship under normal use and service. **UVDI's** obligation under this warranty shall be limited to the repair or replacement of those goods which prove defective, provided that such products are installed, maintained, and operated for the purpose and in the manner intended and for which **UVDI** instructs or recommends. Neither **UVDI** nor its dealers shall be liable for any special or consequential damages directly or indirectly arising from the design, construction, installation, servicing, or operation of the goods. THIS IS **UVDI'S** SOLE WARRANTY. NEITHER **UVDI** NOR ITS DEALERS MAKE ANY OTHER WARRANTY OF ANY KIND, EXPRESSED OR IMPLIED. ALL IMPLIED WARRANTIES OF MERCHANTABILITY AND FITNESS FOR A PARTICULAR PURPOSE WHICH EXCEED **UVDI'S** AFFORESTATED OBLIGATIONS ARE HEREBY DISCLAIMED AND EXCLUDED FROM THIS WARRANTY.

UVDI AND ITS DEALERS' LIABILITY UNDER THIS WARRANTY SHALL IN NO EVENT EXCEED THE COST OF THE GOODS SOLD UNDER THIS CONTRACT OF SALE. **UVDI** neither assumes, nor authorizes any person to assume for it, any obligation in connection with the goods. This warranty shall not apply to any goods (a) which have been subjected to misuse, tampering, negligence, or accidents; or (b) the serial numbers of which have been altered, defaced, or removed; or (c) which have been used in a manner contrary to **UVDI's** instructions or recommendations. Buyer shall not return to **UVDI** any allegedly defective goods without **UVDI's** prior written authorization. This warranty may not be assigned or transferred.

INSTALLATION

INSTALL THE MOUNTING RING

1. Using the mounting ring as a template, place the mounting ring on the duct and mark the duct surface.
2. Use a hole cutter to make a 2-1/8" hole in the duct. Remove any burrs.
3. Position the mounting ring on the duct, make sure that the hole in the ring is aligning with the cut hole in the duct and that the locked symbol on the ring is facing up.
4. Attach the ring to the duct by driving the three supplied self-drilling screws into the duct through the screw holes in the rings. Make sure that the screw heads are fully seated in the mounting ring and no part of the screws protrude over the seating surface.

INSTALL THE LAMP

1. Install the lamp by firmly pressing it into the unit. (See Fig. 2) Use a cleaning cloth and alcohol to remove dirt and fingerprints.

Note: Be sure to align the notch on the lamp receptacle with the notch on the lamp.

Align lamp with notch in unit.

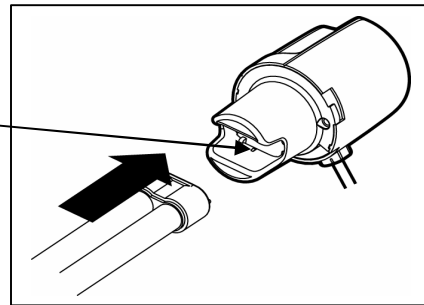


Fig. 2



CAUTION

Personal Injury Hazard. Power supply can cause electrical shock.

Disconnect power supply before beginning installation. Do not open unit; there are no user serviceable components inside. Professional installation is required per NEC Standards.



CAUTION

Breakable Glass Hazard. Can cause personal injury.

Be careful when inserting UV lamp into unit. Wear protective gloves when handling lamp.

INSTALLATION

INSTALL THE UNIT

1. Insert the unit into the mounting ring with the arrow symbol pointing toward the "unlocked" symbol on the mounting ring.
2. Rotate the UV system counter-clockwise to the "locked" position. (See Fig. 3)
3. Connect the power cord to 120V power and verify the lamp is lit by checking that the LED is on.
4. Apply the included HVAC maintenance label to the duct in a high visibility location to alert future service technicians to the presence of UV light.

Rotate unit counter clockwise to "locked" position.

LED illuminates when unit is connected to power and lamp is on.

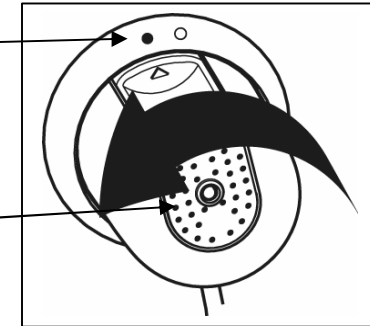


Fig. 3



WARNING

UV Light Hazard.

Harmful to bare skin and eyes. Can cause temporary or permanent loss of vision.

Never look at the lamps while illuminated. Use the LED light on the outside of the unit to confirm lamp is operating correctly. To prevent exposure to UV light, disconnect power to the unit before servicing any part of the heating/air conditioning system.



Mercury Notice

This device contains mercury in the sealed UV lamp. Do not place your used lamp in the trash. Dispose of properly.



Broken Lamp Clean Up.

Do not use a household vacuum.

Sweep debris into a plastic bag and dispose of properly. Contact your local waste management authority for instructions regarding recycling and the proper disposal of old lamp.

OPERATION

The unit is recommended to be operated continuously for maximum UV air purification benefit. Turn off unit during lamp replacement and HVAC maintenance.

Note: The installer should orient the owner to the unit by showing them the location of the LED light and discussing how to determine when the unit is functioning properly without looking directly into the duct to see the illuminated UV lamp. The installer should also emphasize the hot surface and electrical shock safety warnings. The installer should leave the product data with the owner and review the lamp replacement procedures.

MAINTENANCE

Replacing Your Lamp (Annually)

Replacement Lamp Part Number: 20-5000
Visit www.altruv.com or call 1-877-787-3882

1. Disconnect power and allow lamp to cool for 15 minutes.
2. Rotate the unit clockwise until the arrow on the knob is aligned with the “unlocked” symbol and remove.
3. Hold the unit firmly and slowly pull the lamp straight out from the unit.
4. Obtain replacement lamp and firmly press into unit. Note: The notch in the lamp must align with the notch in the unit.
5. Insert the unit into the mounting ring and rotate counter-clockwise to the “locked” position.
6. Reconnect the power.
7. Verify that LED light is on.



Mercury Notice

This device contains mercury in the sealed UV lamp. Do not place your used lamp in the trash. Dispose of properly.



Broken Lamp Clean Up.

Do not use a household vacuum.

Sweep debris into a plastic bag and dispose of properly. Contact your local waste management authority for instructions regarding recycling and the proper disposal of old lamp.

LOCATION

- The UV system should be installed downstream of the cooling coil for maximum benefit. The UV system must be located so the lamp is centered in the air duct.
- The depth of the duct must accommodate the full length of the UV lamp with at least 1” of clearance at the tip. (See Fig. 1)
- The space adjacent to the mounting location must be large enough to allow for ultraviolet lamp installation and removal.
- Do not install in return air grille or any location that allows UV light to be seen outside of duct after installation.
- A 120V electrical outlet must be within range of the unit to plug in the 6-ft. power cord.
- Do not install beneath a humidifier or any source of water.



CAUTION

Equipment Damage Hazard

UV light can cause color shift or structural degradation of plastic HVAC materials.

Select mounting location that prevents exposure to plastic components with unknown resistance to UV light. Three feet minimum is recommended between UV lamp and plastic-fabricated devices (such as non-fiberglass media filters). Some plastics, polyurethane foam, rubber, wire insulation and filters may not be suitable for use with any UV. Protect these items with aluminum duct tape or equivalent.